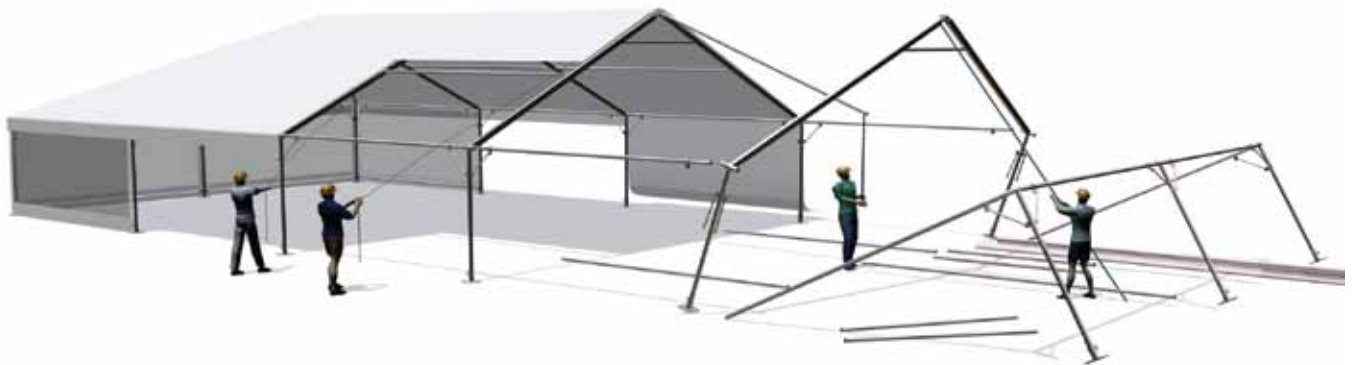


6m CLIPFRAME GABLE END Assembly Instructions



SIMPLICITY · PERFORMANCE · STYLE

New Zealand

52 Newton Street,
PO Box 4370, Mount Maunganui
New Zealand

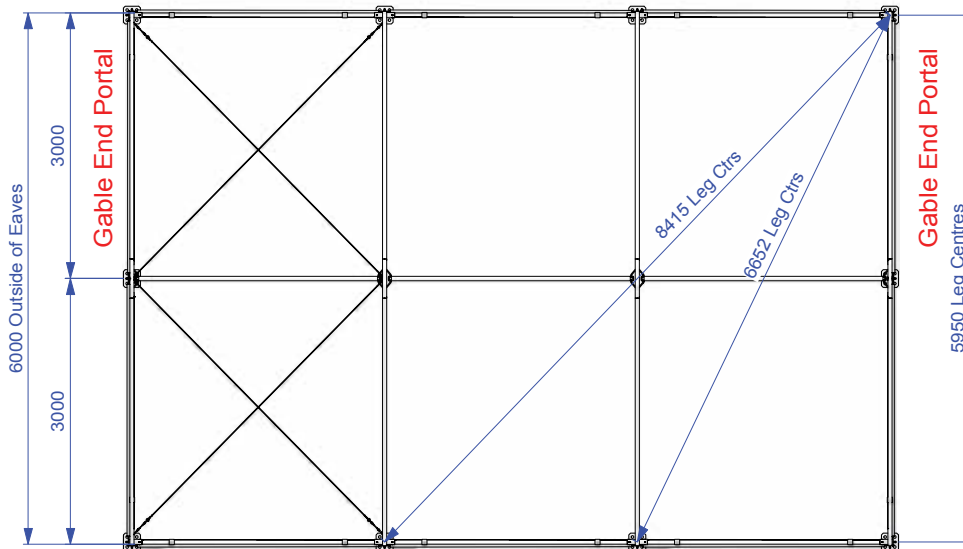
tel +64 7 579 0190
fax +64 7 579 0194
www.baytex.co.nz

Australia

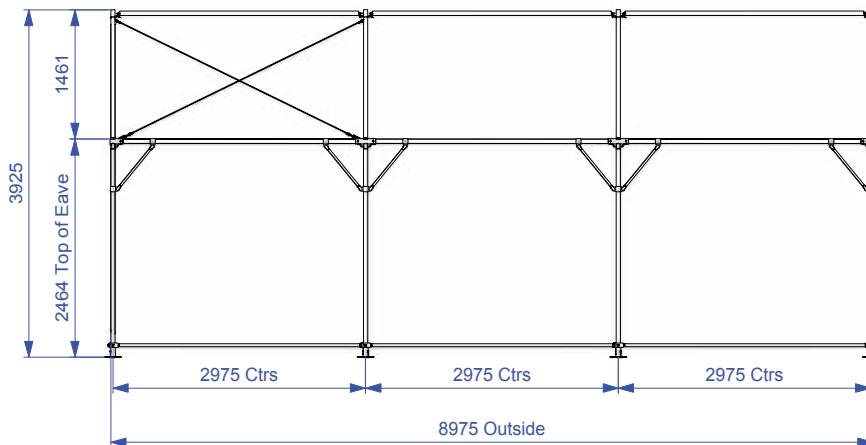
tel 02 4340 4144
mob 0400 312 314

6m CLIPFRAME GABLE END

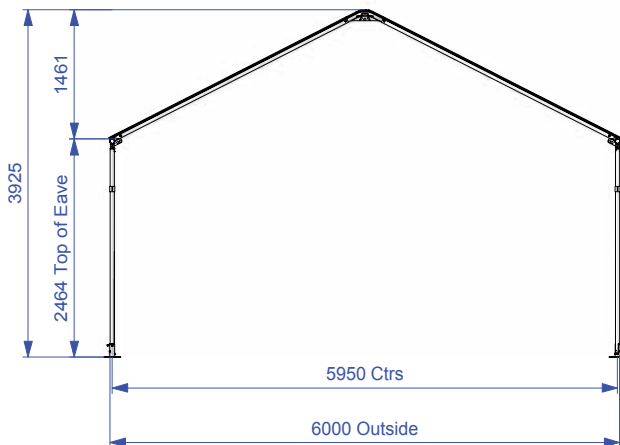
Plans & Elevations



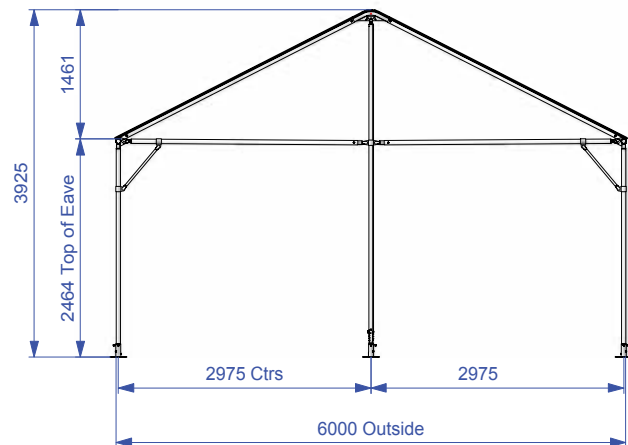
001/1 Plan View Scale 1:60



001/2 Side View Scale 1:60



001/3 Mid Portal Scale 1:60



001/4 Gable End Portal Scale 1:60

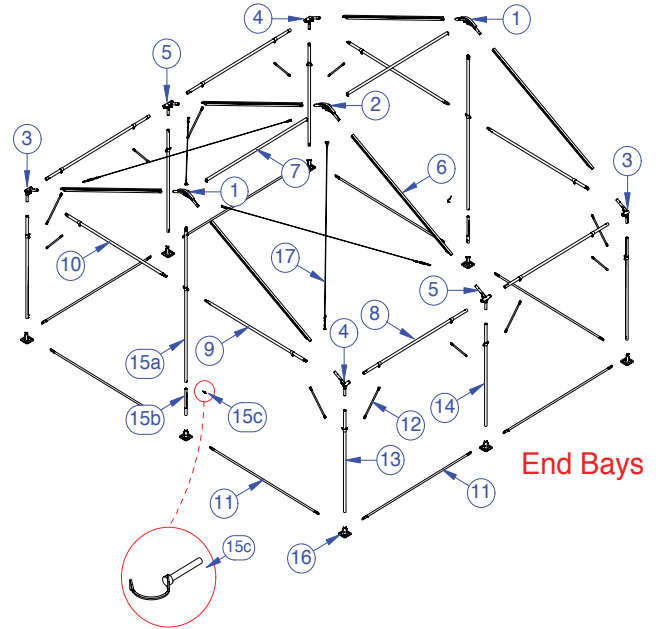
6m CLIPFRAME GABLE END

Parts Identification



End Bays Hardware List

Ref.	Part Name	Qty	Part Number
1	Apex Connector GE - Channel Tube Lite 26°	2	70.830
2	Apex Connector Mid - Channel Tube Lite 26°	1	70.755
3	Ø 50 Gable End Shoulder Connector LH 26°	2	70.754
4	Ø 50 Gable End Shoulder Connector RH 26°	2	70.757
5	Ø 50 Mid Shoulder Connector 26°	2	70.751
6	6m Side Rafter - Channel Tube Lite	6	70.506.006
7	Ø 50 Ridge Purlin 3m	2	70.763
8	Ø 50 Eave Purlin 3m (2 Way)	4	70.762
9	6m Ø 50 Gable End Adjustable Eave LH	2	70.506.032
10	6m Ø 50 Gable End Adjustable Eave RH	2	70.506.033
11	Base Rail - 3m	8	70.710
12	Ø 25 Brace bar	12	70.742
13	90° Ø 50 Leg - 2.4m	4	70.737/1
14	180° Ø 50 Leg - 2.4m	2	70.737/2
15	6m Gable End Upright Set - 2.4m Leg	2	
a	- (x1) 6m Gable Upright Leg, and		70.506.035
b	- (x1) Ø50mm Adjustable Leg Base, and		70.750
c	- (x1) Tractor Clip (AG260)		-
16	Ø 50mm Base Foot	8	70.732
17	Brace Cable Set - Roof (4 cables)	1	70.506.013



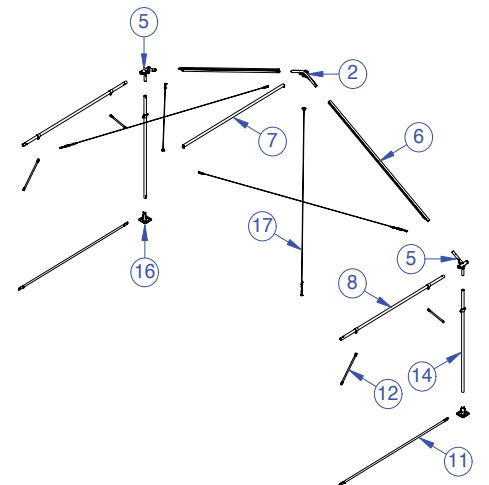
End Bays Fabric List

A	6m Gable End Roof (4 Pieces)	1	70.306.230
B	6m x 3m Mid Roof	2	70.306.260
C	3m x 2.4m Wall	8	60.011.50

Mid Bay Hardware List

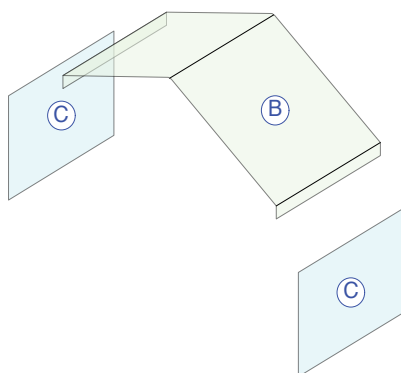
(Bay Quantity = 1)

Ref.	Part Name	Qty	Part Number
2	Apex Connector Mid - Channel Tube Lite 26°	1	70.755
5	Ø 50 Mid Shoulder Connector 26°	2	70.751
6	6m Side Rafter - Channel Tube Lite	2	70.506.006
7	Ø 50 Ridge Purlin 3m	1	70.763
8	Ø 50 Eave Purlin 3m (2 Way)	2	70.762
11	Base Rail - 3m	2	70.710
12	Ø 25 Brace bar	4	70.742
14	180° Ø 50 Leg - 2.4m	2	70.737/2
16	Ø 50mm Base Foot	2	70.732
17	Brace Cable Set - Roof (4 cables)	0	70.506.013

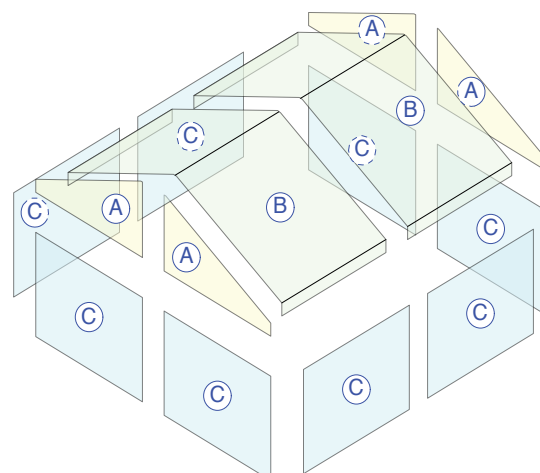


Mid Bay Fabric List

B	6m x 3m Mid Roof	1	70.306.260
C	3m x 2.4m Wall	2	60.011.50



Mid Bay



End Bays

6m CLIPFRAME GABLE END

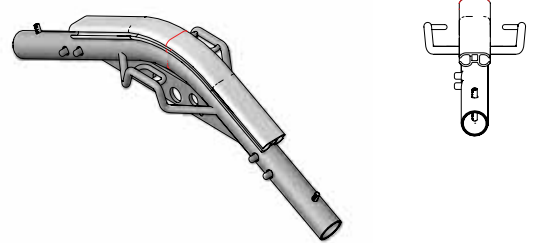
Componentry



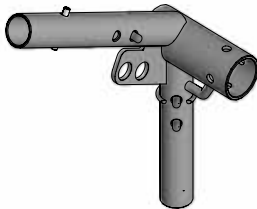
1. Apex Connector GE - Channel Tube Lite
-To use with Channel Tube Lite Rafter



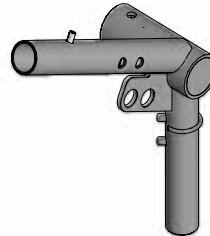
2. Apex Connector Mid - Channel Tube Lite
-To use with Channel Tube Lite Rafter



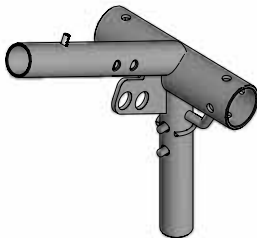
3. Ø50 Gable End Connector LH 26°
-To use with Channel Tube Lite Rafter and Ø50mm Leg



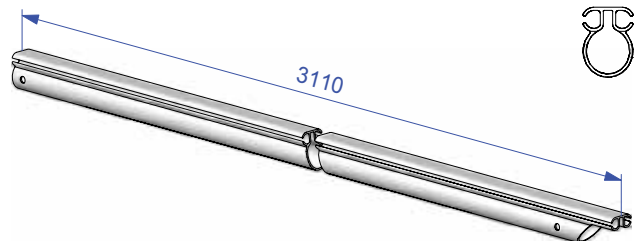
4. Ø50 Gable End Connector RH 26°
-To use with Channel Tube Lite Rafter and Ø50mm Leg



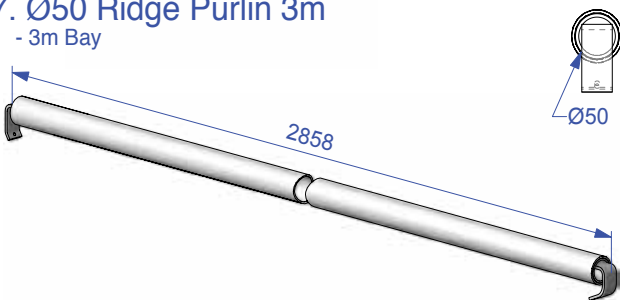
5. Ø50 Mid Shoulder Connector 26°
-To use with Channel Tube Lite Rafter and Ø50mm Leg



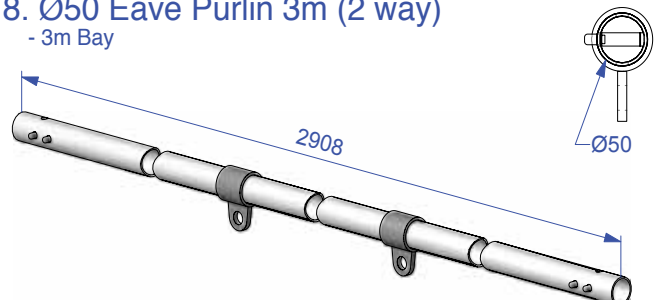
6. 6m Side Rafter - Channel Tube Lite



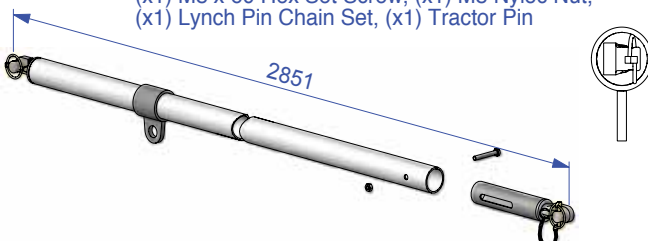
7. Ø50 Ridge Purlin 3m
- 3m Bay



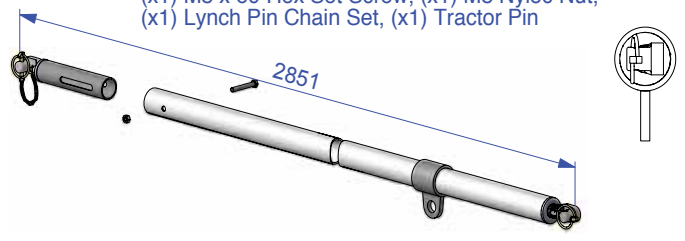
8. Ø50 Eave Purlin 3m (2 way)
- 3m Bay



9. 6m Ø50 Gable End Adjustable Eave LH
-Includes: (x1) Gable End Eave Bar, (x1) Adjustable Eve Joint, (x1) M8 x 60 Hex Set Screw, (x1) M8 Nyloc Nut, (x1) Lynch Pin Chain Set, (x1) Tractor Pin



10. 6m Ø50 Gable End Adjustable Eave RH
-Includes: (x1) Gable End Eave Bar, (x1) Adjustable Eve Joint, (x1) M8 x 60 Hex Set Screw, (x1) M8 Nyloc Nut, (x1) Lynch Pin Chain Set, (x1) Tractor Pin



6m CLIPFRAME GABLE END Componentry



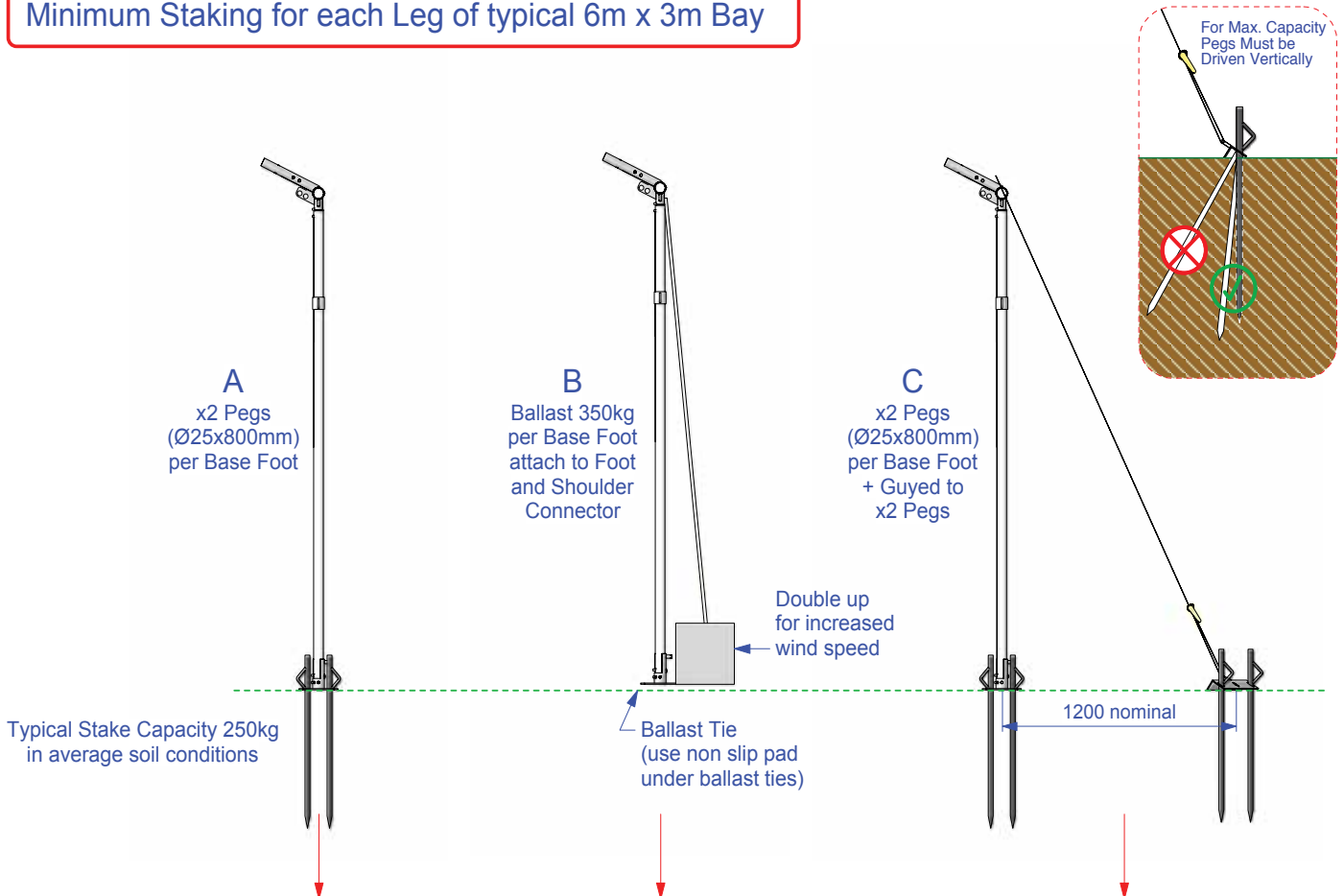
<p>11. Base Rail - 3m</p> <p>Ø50</p> <p>3080</p>	<p>12. Ø25 Brace Bar -Includes: (x1) Brace Bar, (x2) Lynch Pin & Chain Set</p> <p>Ø25</p> <p>666</p>
<p>13. 90° Ø50 Leg - 2.4m -90° Brace Collar</p> <p>Ø50</p> <p>2345</p>	<p>14. 180° Ø50 Leg - 2.4m -180° Brace Collar</p> <p>Ø50</p> <p>2345</p>
<p>15. 6m Gable End Upright Set - 2.4m Leg -Includes: (x1) 6m Gable Upright Leg Ø50, (x1) 50 Adjustable Leg Base, (x1) Tractor Clip</p> <p>Ø50</p> <p>3816</p>	<p>16. Ø50 Pin & Chain Set -Includes: (x1) Pin & Chain Set</p> <p>200</p> <p>200</p>
<p>17. Roof Brace Cable Set - for 6m x 3m Bay - Includes: (x4) Ø5mm Cable, (x4) Turnbuckle, (x8) Shackle</p> <p>4360</p>	

6m CLIPFRAME GABLE END

Staking / Ballasting Options



Minimum Staking for each Leg of typical 6m x 3m Bay

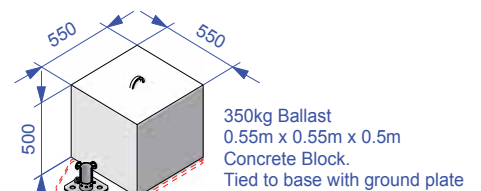


Wind Speed	A		B		C	
0km/h	engineered	estimated	engineered	estimated	estimated	engineered
10km/h						
20km/h	Nominal Stake Capacity 250kg. 2 Stakes per base. 1.5 x safety factor.	1 stake		250kg Ballast	700kg Ballast	Nominal Stake Capacity 250kg. 2 Stakes per base. + 2 Stakes per outguy 1.5 x safety factor.
30km/h						
40km/h						
50km/h	Over 50km/h - All Walling to be fitted and closed					
60km/h						
70km/h						
80km/h	Over 80km/h - All Fabric to be Removed from Frame					
90km/h						
100km/h	Frame may be left standing					

Recommended Staking Options. Based on average Soil Conditions.

Consider Location factors eg: on Exposed Hilltop, limit speed to 50% of above.

In poor soil use more stakes or longer stakes.



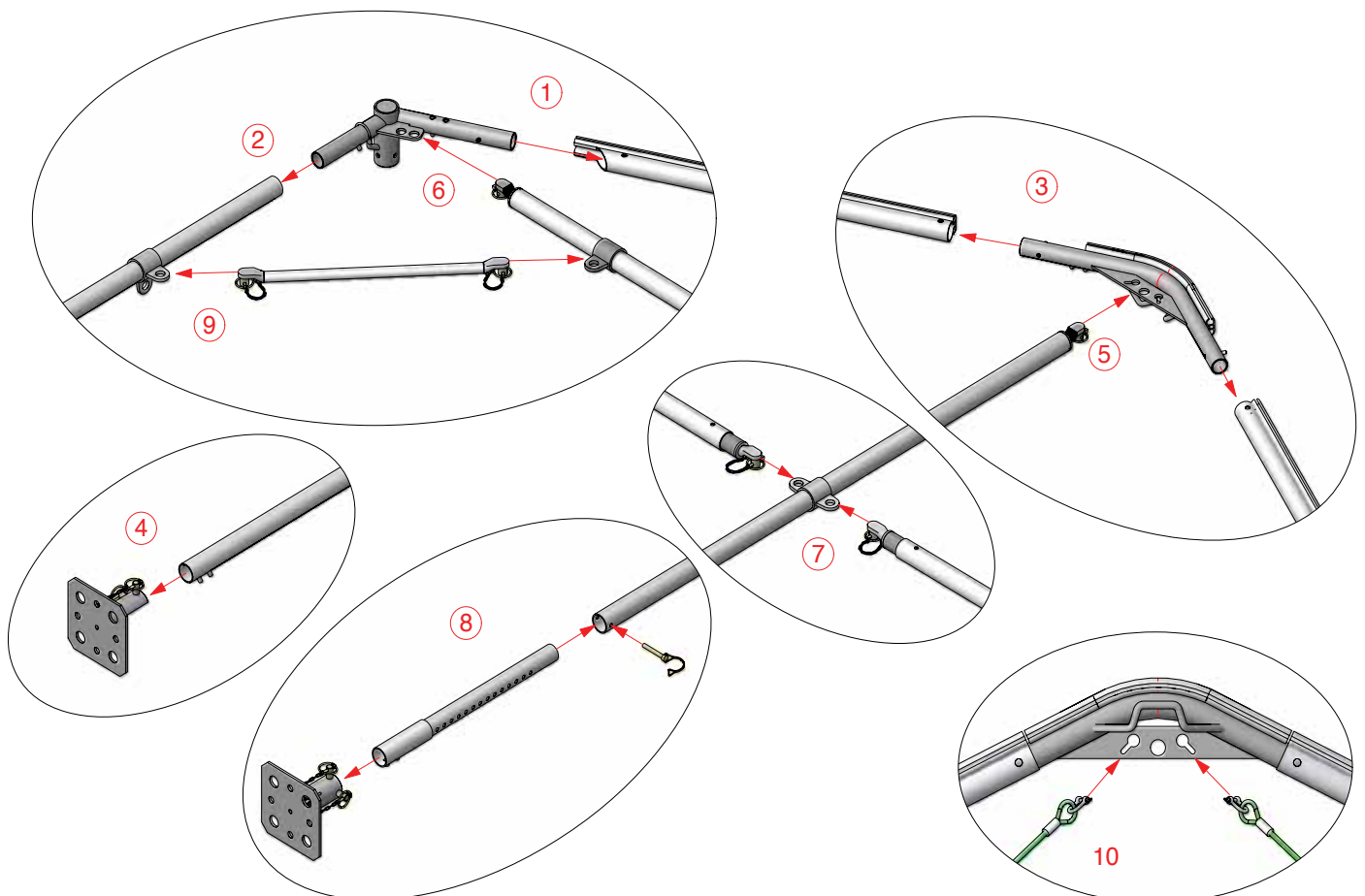
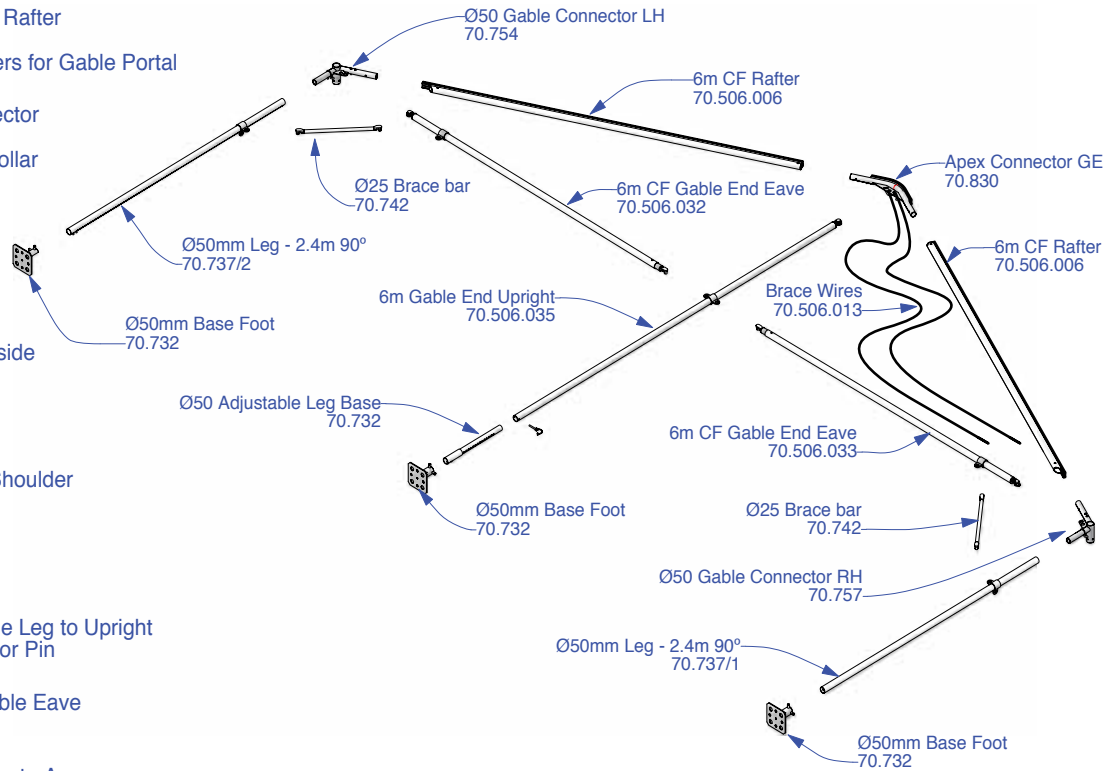
6m CLIPFRAME GABLE END

Gable End Frame Assembly



Assemble Gable Portal

1. Join Shoulder Connector to Rafter
- Use Button Lock
note: Left & Right Shoulders for Gable Portal
2. Join Leg to Shoulder Connector
- Use Button Lock
note: corner leg has 90° collar
3. Join Rafters to Apex
- Use Button Lock
note: Gable End Apex
4. Join Base Fitting to Leg
- Use Button Lock
note: orientate pins to outside
5. Join Gable Upright to Apex
- Use Lynch Pin
6. Join Gable Eave to Gable Shoulder
- Use Lynch Pin
7. Join Gable Eave to Upright
- Use Lynch Pin
8. Join Base Plate & Adjustable Leg to Upright
- Use Button Lock & Tractor Pin
9. Join Brace Bar to Leg & Gable Eave
- Use Lynch Pin
10. Attach 2 Roof Brace Cables to Apex



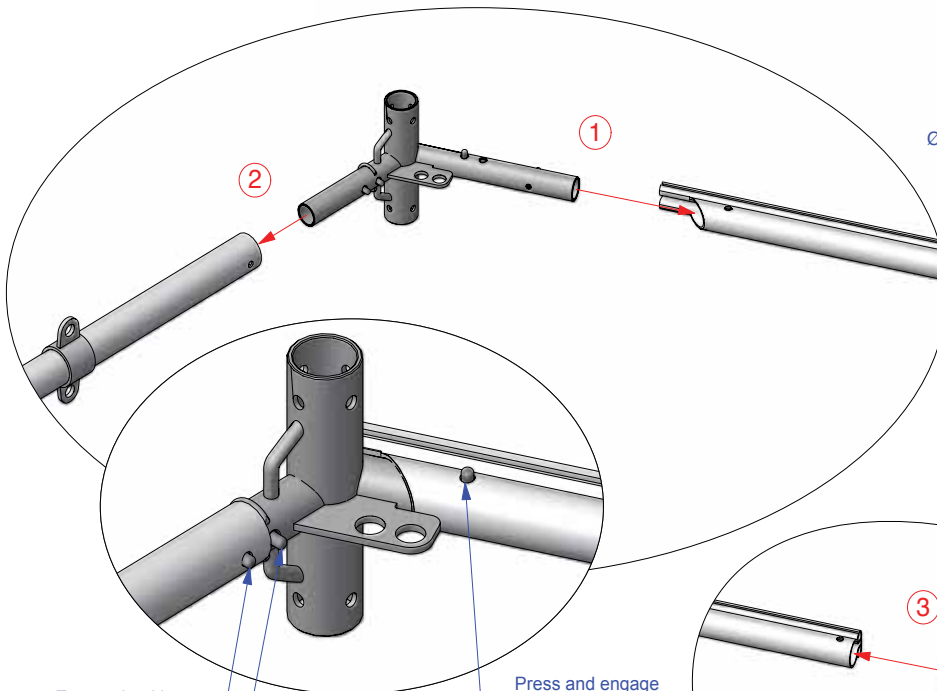
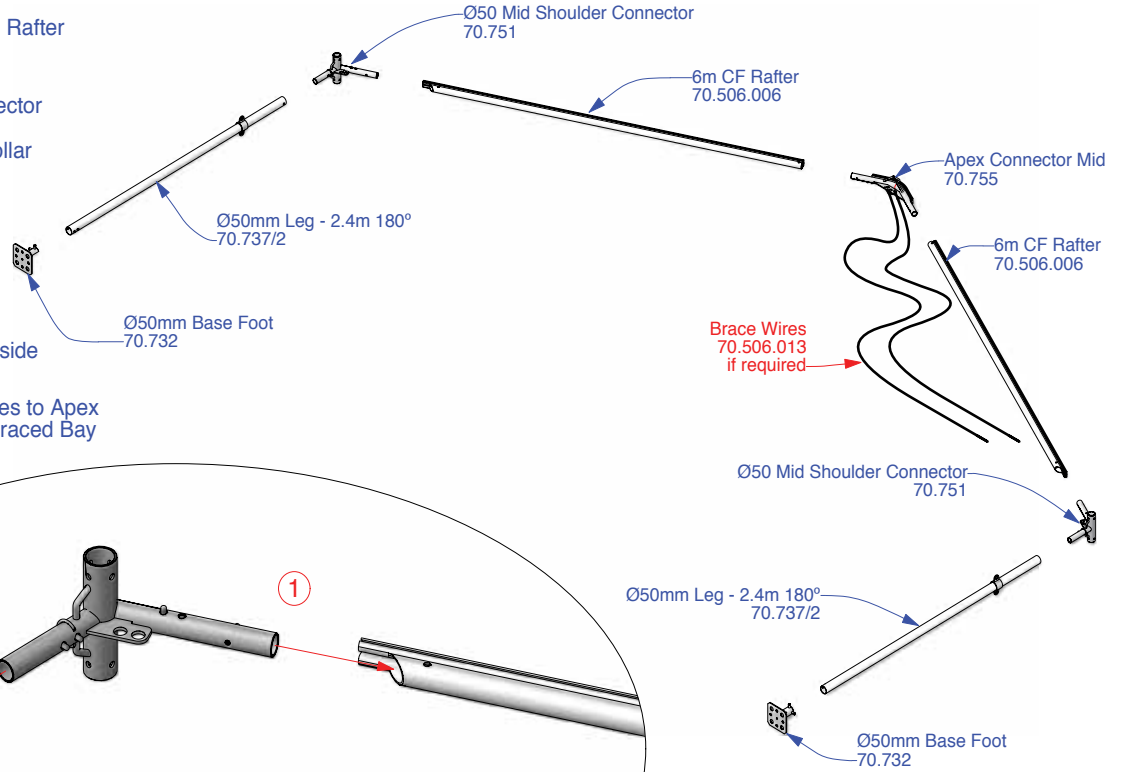
6m CLIPFRAME GABLE END

Mid Portal Assembly

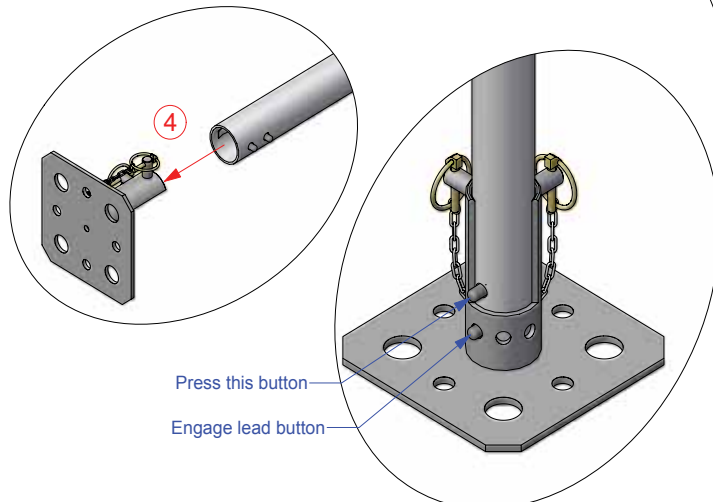


Assemble Mid Portal

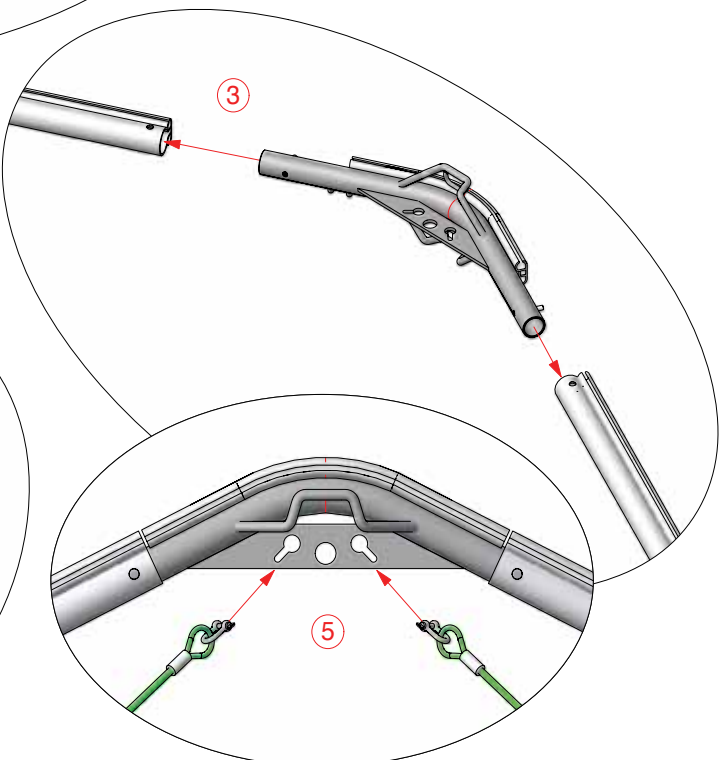
1. Join Shoulder Connector to Rafter
- Use Button Lock
2. Join Leg to Shoulder Connector
- Use Button Lock
note: side leg has 180° collar
3. Join Rafters to Apex
- Use Button Lock
note: Mid Apex
4. Join Base Fitting to Leg
- Use Button Lock
note: orientate pins to outside
5. Shackle 2 Roof Brace Cables to Apex
if Portal is adjacent to a Braced Bay



Engage lead button
Press this button
Press and engage this button



Press this button
Engage lead button

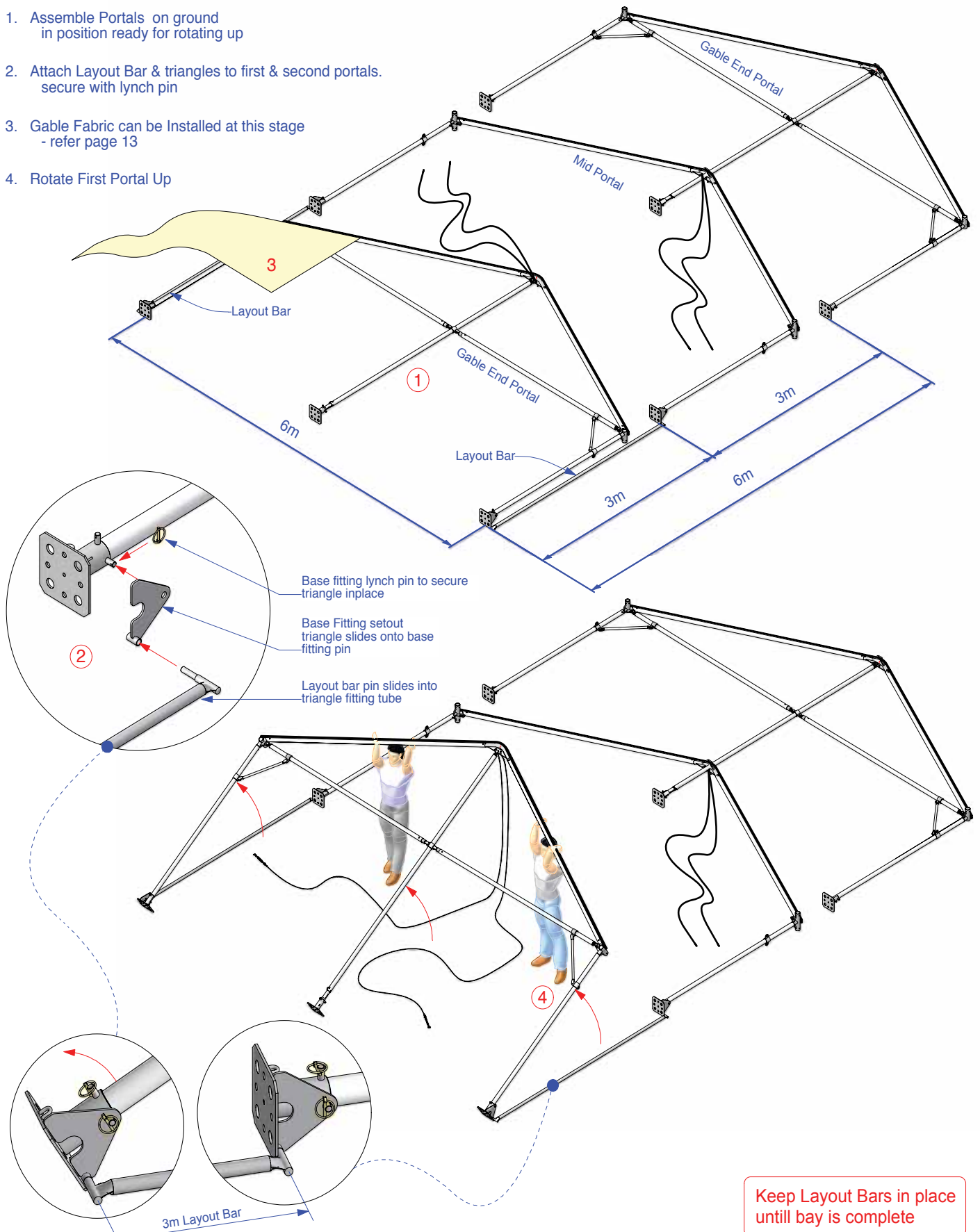


6m CLIPFRAME GABLE END



Portal Layout

1. Assemble Portals on ground in position ready for rotating up
2. Attach Layout Bar & triangles to first & second portals. secure with lynch pin
3. Gable Fabric can be Installed at this stage - refer page 13
4. Rotate First Portal Up



Keep Layout Bars in place until bay is complete

6m CLIPFRAME GABLE END

Portal Setup

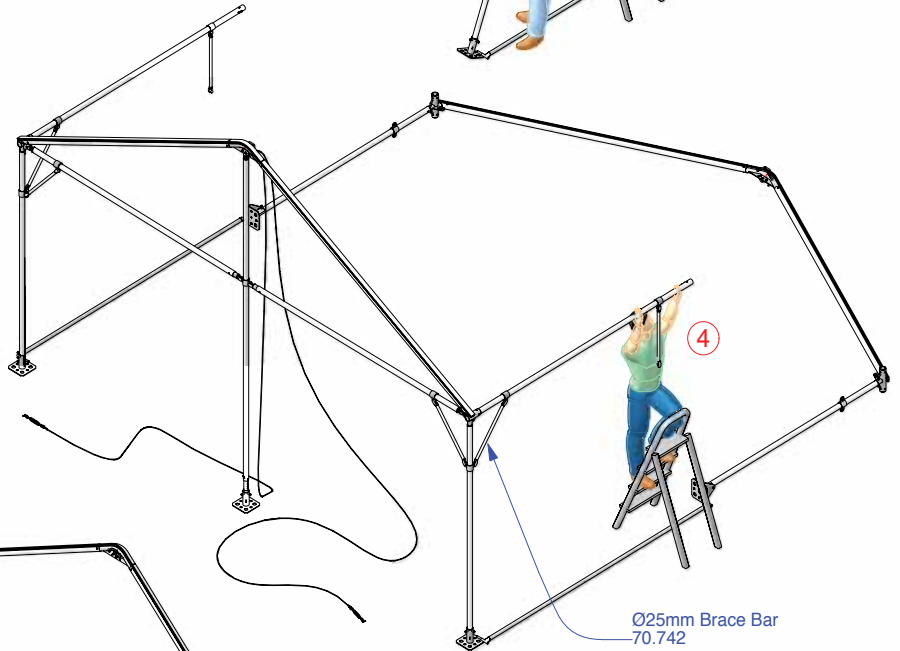
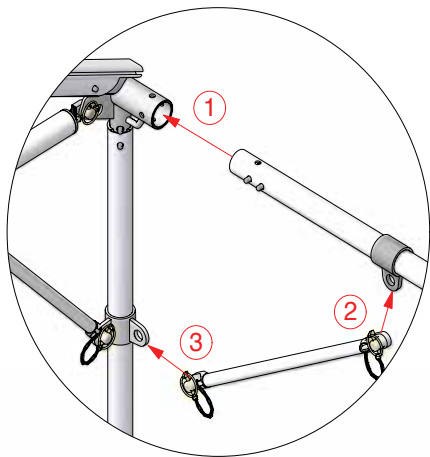


1. Join Eave Purlins to First Portal
- Use Button Locks
2. Join 25mm Brace Bars to Eave Purlins
- Use Lynch Pins
3. Join 25mm Brace Bars to Leg
- Use Lynch Pin
4. Rotate First Portal to Vertical
Support Eave near Second Portal
5. Rotate Second Portal to Vertical
6. Join Second Portal to Eaves
- Use Button Lock
7. Join Brace Bar to Second Portal
- Use Lynch Pin

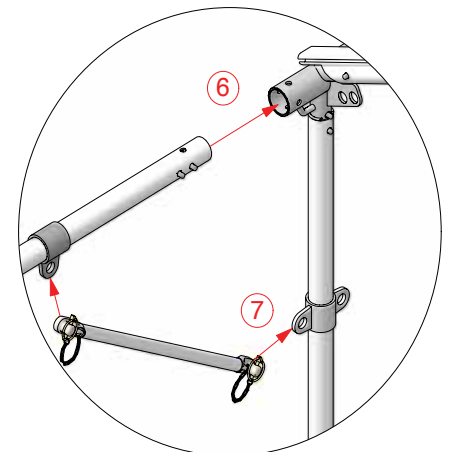
Ø50mm Eave Purlin 3m
(2way)
70.762



Ø50mm Eave Purlin 3m
(2way)
70.762



Ø25mm Brace Bar
70.742



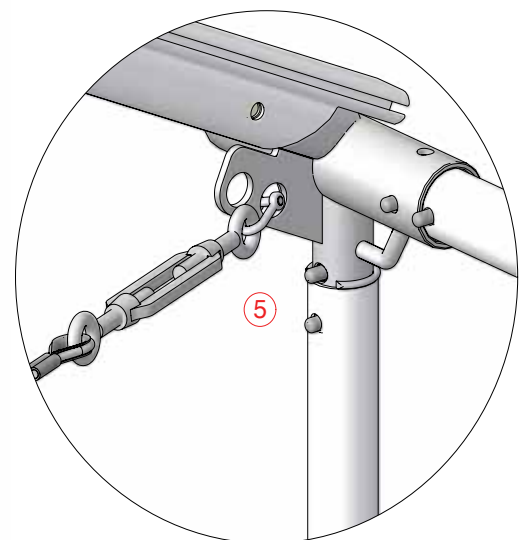
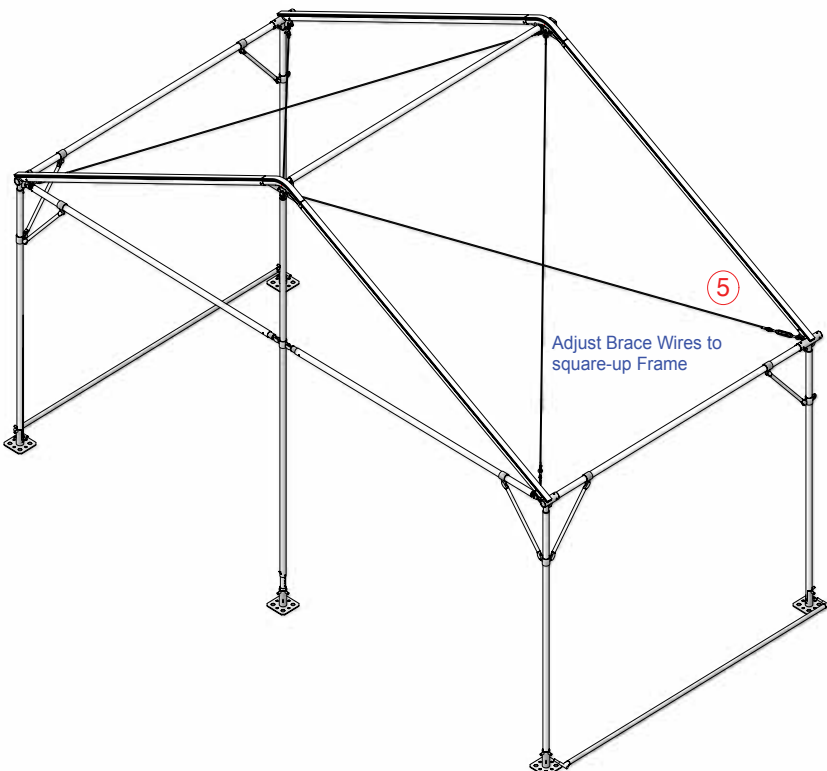
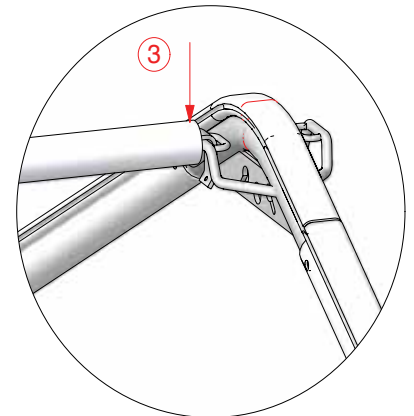
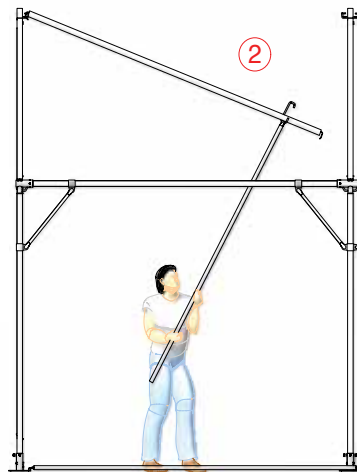
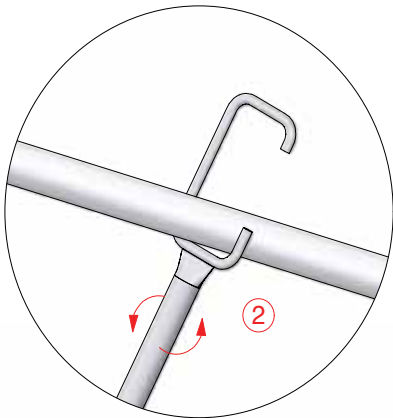
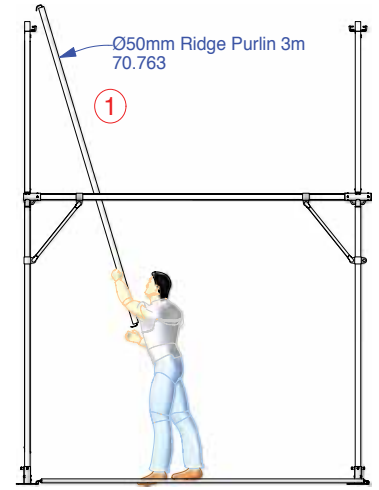
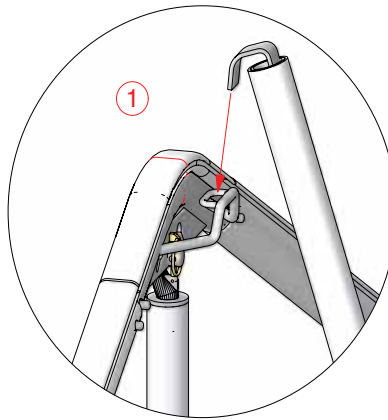
Keep Layout Bars in place
until bay is complete

6m CLIPFRAME GABLE END

Purlin & Brace Wire Install



1. Hook Ridge Purlin onto First Portal Apex
note: curved hook
2. Rotate Ridge Purlin up to Second Portal Apex
- Use Purlin Fork. keep square to purlin
- twist Purlin Fork to reduce sliding
3. Hook Ridge Purlin into Second Portal Apex
- Ensure Engaged
5. Attach Roof Brace Wires to Shoulders
- Use Shackle
- Do not fully tension turnbuckle until roof fabric is in place.



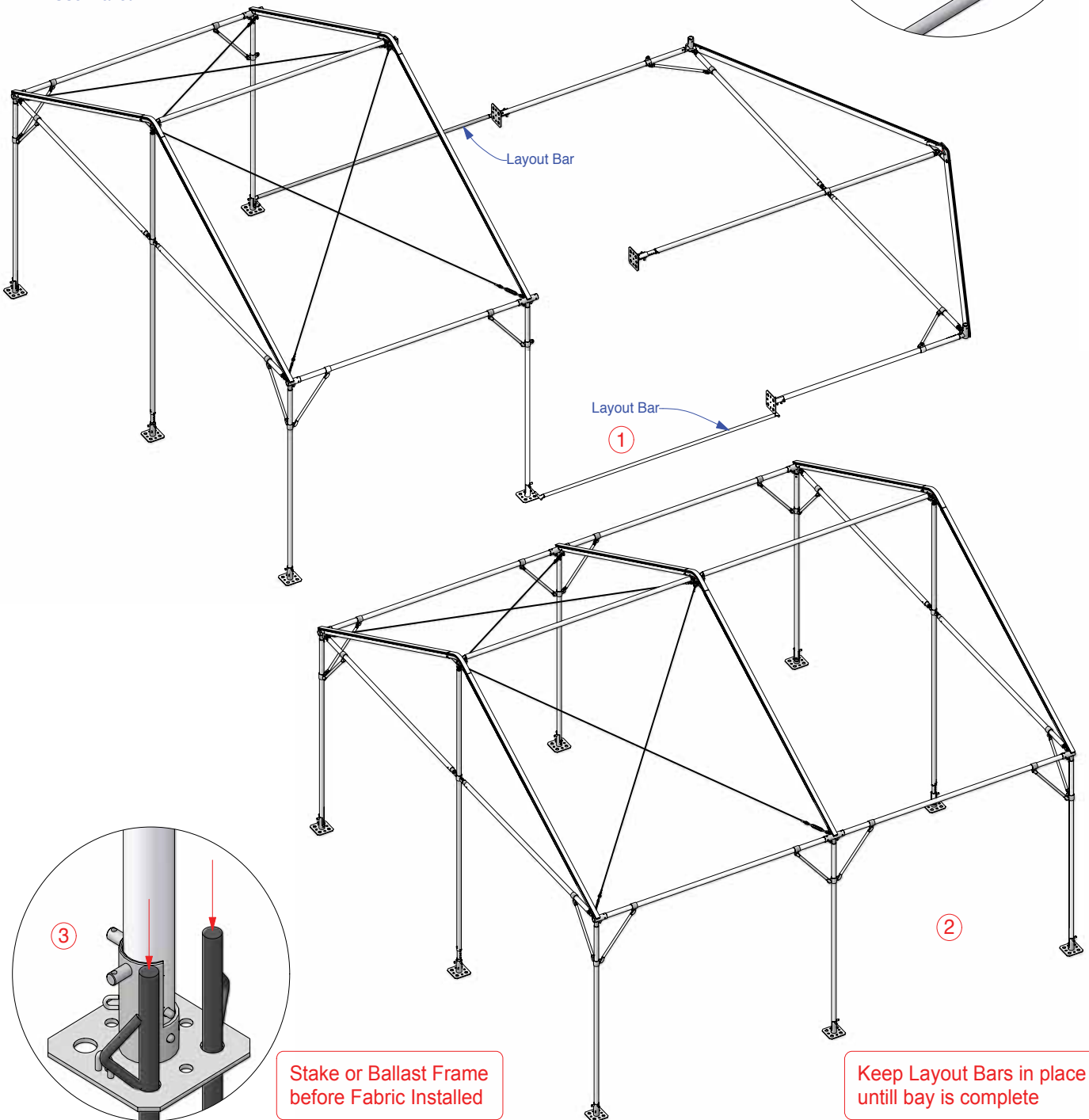
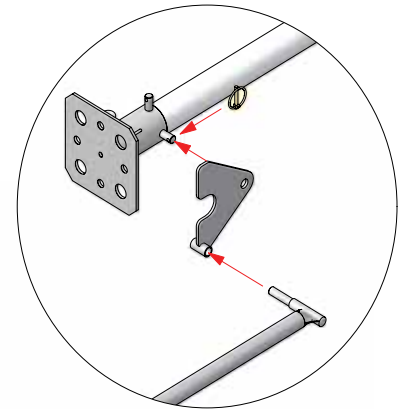
Keep Layout Bars in place until bay is complete

6m CLIPFRAME GABLE END

Continued Frame Assembly



1. Move Layout Bars to Next Bay
- keep in place until bay complete
2. Continue Assembling Each Bay in same process as first.
Consider braced bay placements.
 - Assemble Portal on Ground
 - Attach Layout bars
 - Attach Eave Purlins & Brace Bars
 - Rotate Portal Up & join to Eave Purlins and Brace bars
 - Attach Ridge Purlin
 - Fasten Brace wires if applicable
3. Peg down Base Feet
 - x2 Marquee Pegs per Foot
 - Use Mallet

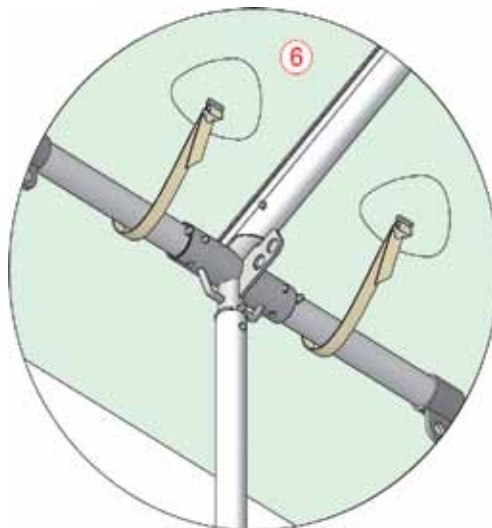
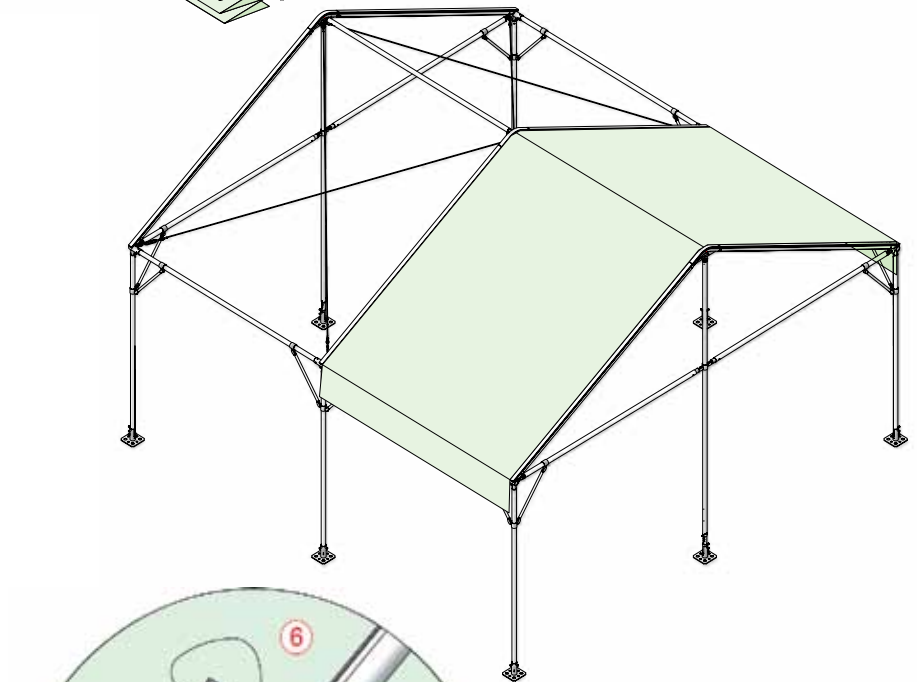
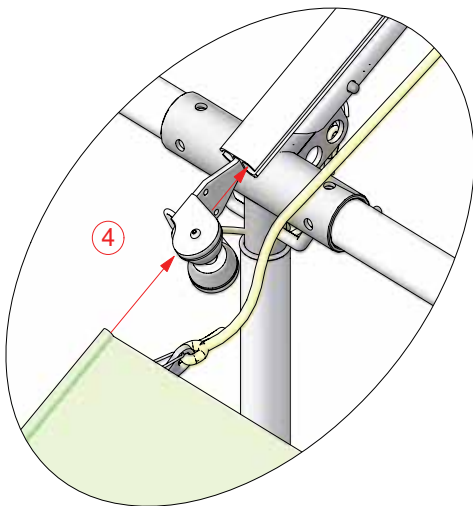
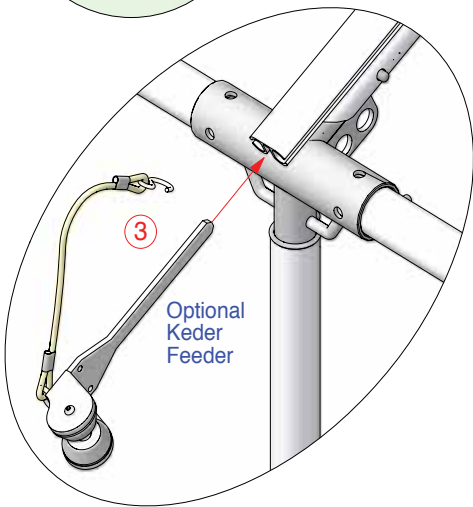
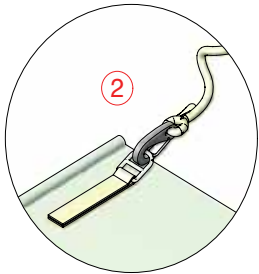
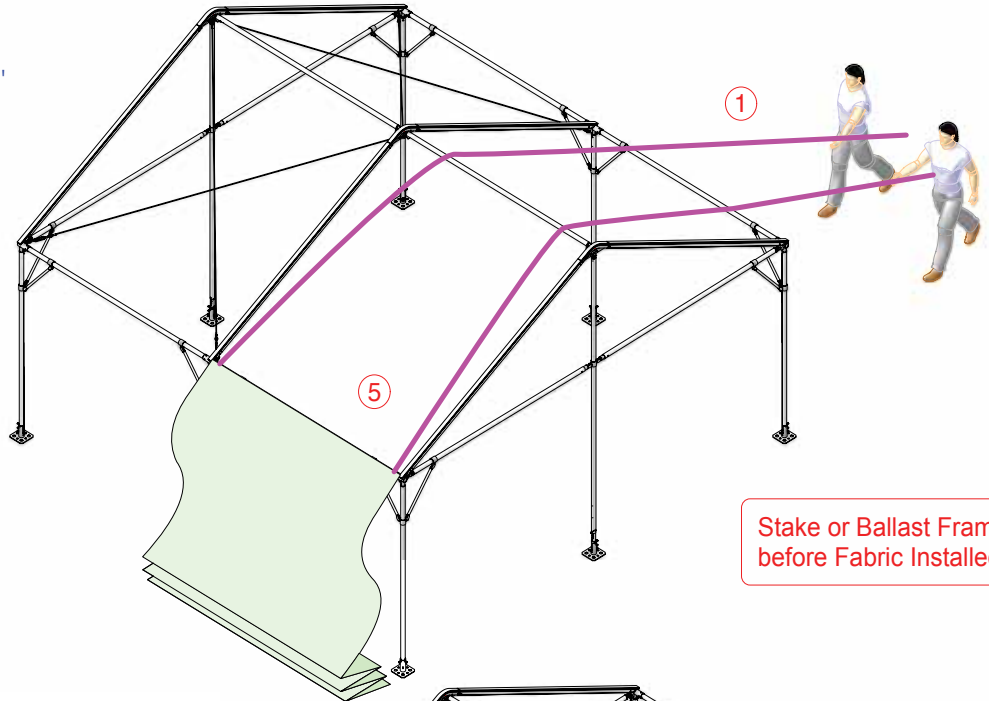


6m CLIPFRAME GABLE END

Roof Fabric Installation



1. Throw Pull Over Ropes Across
2. Attach Pull Over Ropes to Roof 'D' - hook facing fabric
3. Fit Keder Feeder in Rafter end - optional part - secure with hook around leg
4. Engage Keder in Rafter Extrusion - feed through Keder Feeder
5. Pull Panel Evenly
6. Tension Mid Panels - Use Packlocks

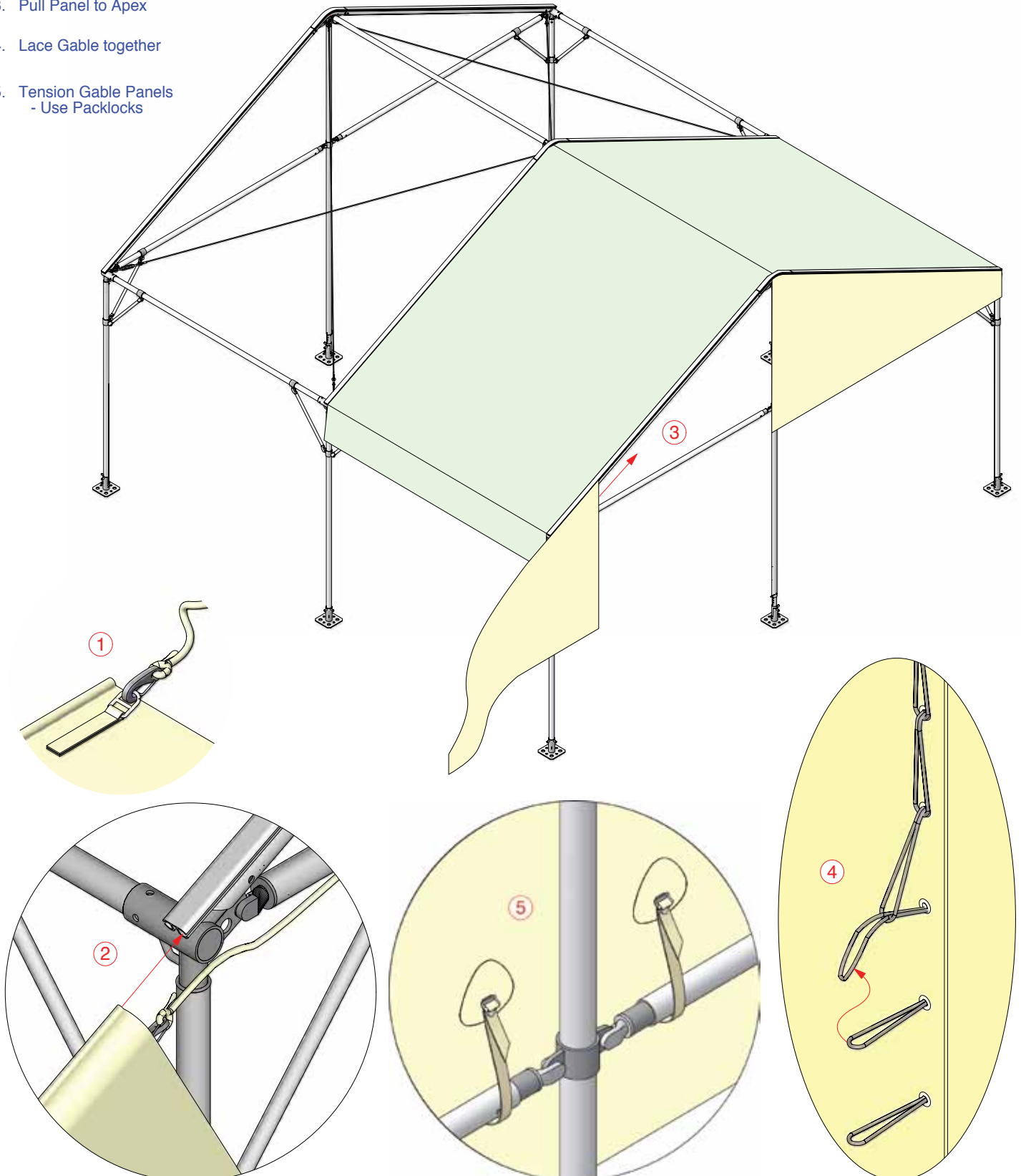


6m CLIPFRAME GABLE END

Gable Fabric Installation



1. Attach Pull Over Ropes to Gable 'D'
2. Engage Keder in Rafter Extrusion
3. Pull Panel to Apex
4. Lace Gable together
5. Tension Gable Panels
- Use Packlocks

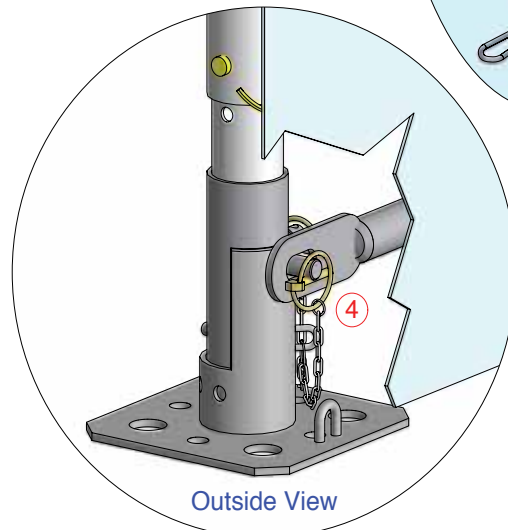
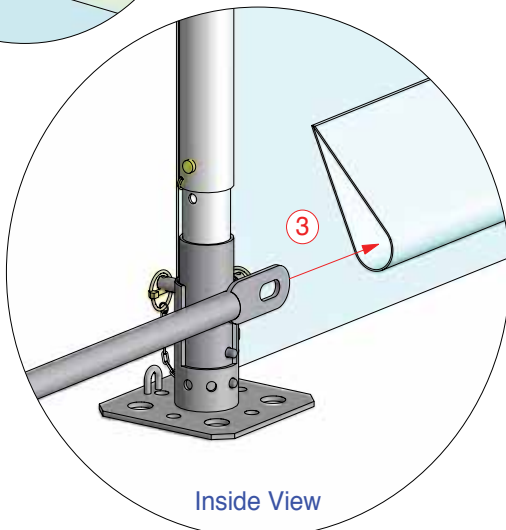
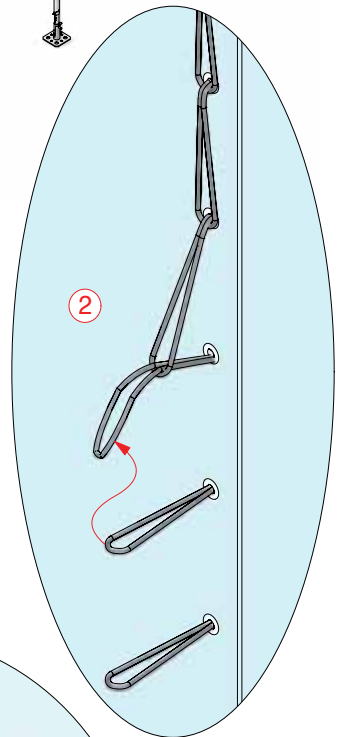
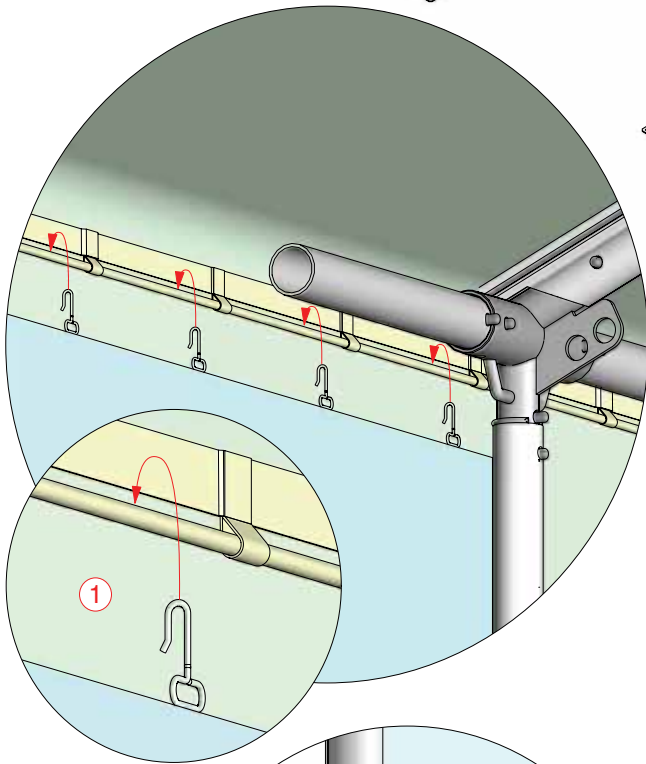
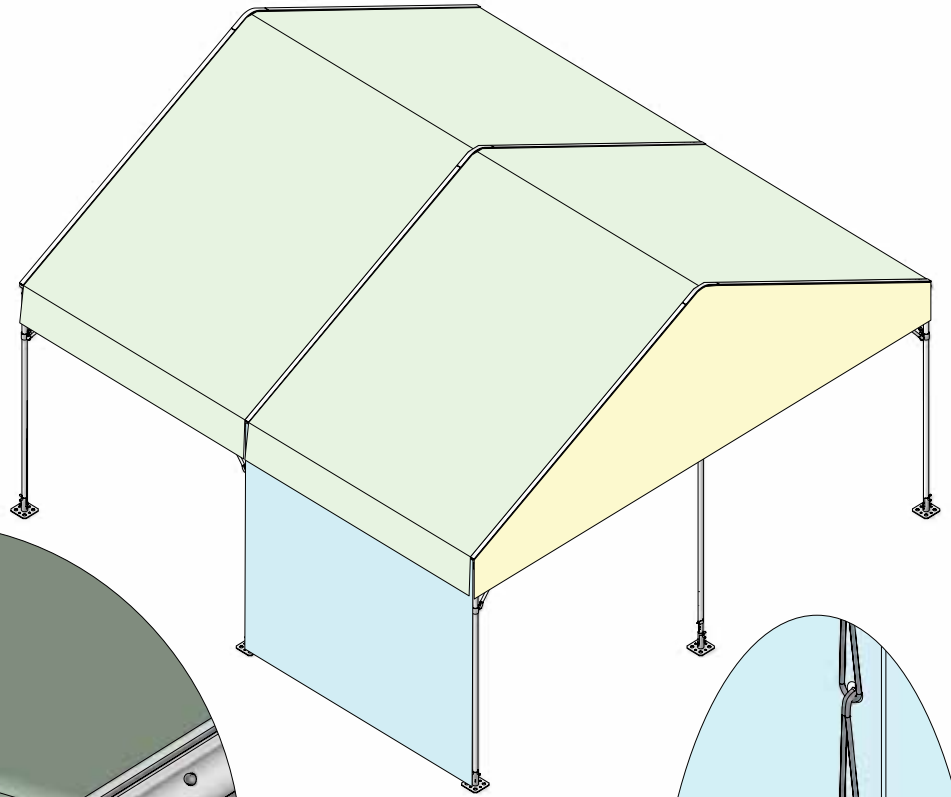


6m CLIPFRAME GABLE END

Wall Fabric Installation



1. Hook Wall onto Wall cord of Roof Pockets to inside
2. Lace Walls together behind leg
3. Insert Base Rail in Pocket
4. Attach Base Rail to Base Foot - Use Lynch Pin



6m CLIPFRAME GABLE END

Portal Setup



1. Plan Site Layout, Marquee Length and bays to be braced

General Rules

- Gable end portal each end (Red)
- Mid portals in between (Black)
- Roof brace wires each end bay (over 12m)
- Maximum 4 bays unbraced in succession.

